

# BDF1630X

## 60 cm Stainless Steel Freestanding Dishwasher



16 Place Setting



EverClean™ Filter Function



AquaIntense® Spray Arm



Quiet Operation



Flexible Cutlery Tray

### Capacity

Number of Place Settings: 16

### Design

Colour: Stainless Steel

### Performance

WELS Water Rating: 5 Stars

Water Consumption: 13 litres

Energy Rating: 4 Stars

Energy Consumption: 263 kWh

Voltage: 220-240

Frequency: 50 Hz

Operating Noise: 43 dBA

### Main Features

Program Controls: Digital Button Control

Screen Type: LCD 2 Rows

Time Delay Function: Yes

Tablet Detergent Function: Automatic

Electronic Rinse Aid Indicator: Yes

Number of Spray Levels: 3 + Aquaintense Spray Arm

Motor Type: Prosmart Inverter

Filter Type: EverClean

Drying System: Closed Fan

Dirt Sensor: Yes

### Safety:

Water Safety System: Overflow Safety & Watersafe+

Key Lock: Yes

Manufacturers Warranty: 2 Years + 3 Years by Registration

10 Years on Inverter Motor

EAN Code: 8690842194832

### Programs

Number of Programs: 10

Auto (40°C - 65°C) Eco (45°C)

Baby Protect (70°C) AquaFlex

Quick & Shine (60°C) Intensive (70°C)

PreWash Mini (35°C)

Inner Clean Glass Care (40°C)

Auxillary Functions: Fast+ , Ever Clean Filter, Steam Gloss, Aqua Intense

### Flexibility:

Height Adjustable Upper Rack: 3 Height Loaded Adjustable

Height Adjustable Mug Shelf: Yes x 4

Folding Tines: 3 (Upper), 8 (Lower) Basket

Largest dish in upper basket: 20 cm

Largest dish in lower basket: 28 cm

Cutlery Basket: Sliding

Slide out 3rd Cutlery Tray: Full size, Flexible

Accessories: Tray Wash, Glass Holder

### Dimensions & Weights

Unpackaged Height: 850 mm

Height (max - feet adjustment): 865 mm

Unpackaged Width: 598 mm

Unpackaged Depth: 600 mm

Depth with Door Opened: 1150 mm

Unpackaged Weight: 49.1 kg

Packaged Height: 889 mm

Packaged Width: 644 mm

Packaged Depth: 661 mm

Packaged Weight: 52.1 kg

Launch Date: October 2018



# BDF1630X

## 60 cm Stainless Steel Freestanding Dishwasher



**16 Place Setting** - Perfect for big, busy families, it's large capacity means you can wash all your dishes, even large pots and pans, in one load; saving time and energy.



**EverClean™ Filter Function** - If you'd rather not spend time cleaning your dishwasher's filter as often, our EverClean™ Filter technology uses a special sprinkler system to rinse out the filter's interior. Not only does this provide more effective washing, but it also helps you save time and effort.



**AqualIntense® Spray Arm** - You can trust your dishwasher to properly wash even the dirtiest pots and pans thanks to our AqualIntense® technology, which provides an extra intensive cleaning zone in the bottom basket. With the help of an extra spray arm, high pressure water is used to clean your dirtiest items.



**43 dBa Whisper Quiet** - Quiet as a whisper, the low noise level of just 43dB is perfect for open plan homes.

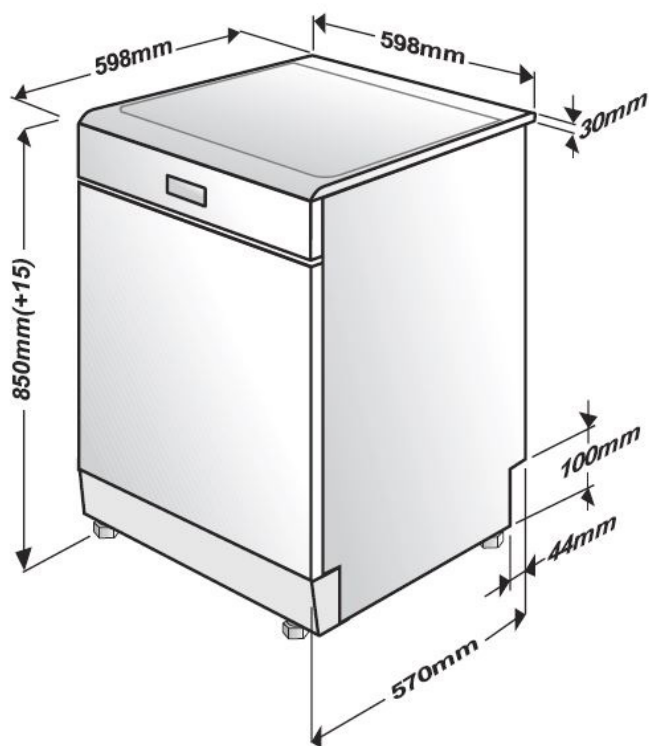


**Full Size Flexible Cutlery Tray** - Flexible to your everyday needs, the extra cutlery tray can be adjusted on both sides, so you can fit tall wine glasses in the upper basket while it's in use. You can also use it to replace the lower cutlery basket, making extra space in the bottom for fitting in larger items.



# BDF1630X

## 60 cm Stainless Steel Freestanding Dishwasher



### Freestanding Installation Dimensions

